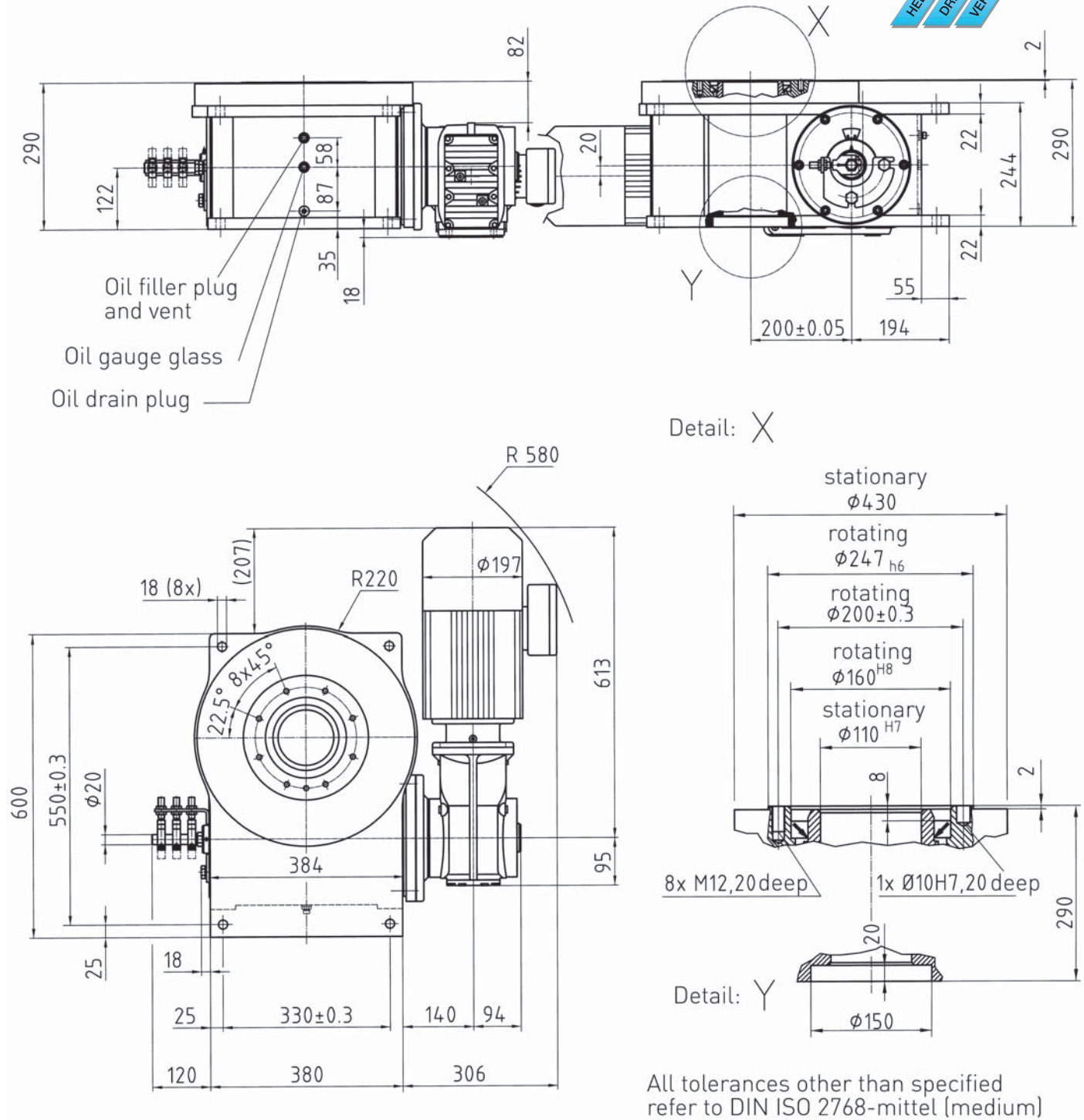


with SEW KAF67-DV100L4B – 3,00 kW



Note: Installation with horizontal rotation axis and other motors with transmission brake upon request.